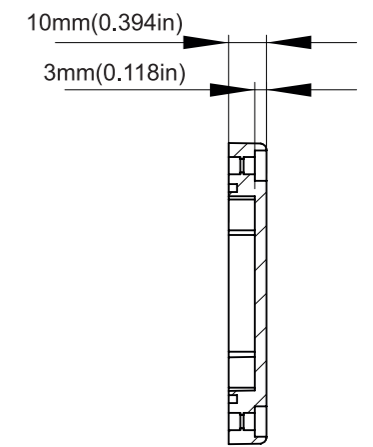
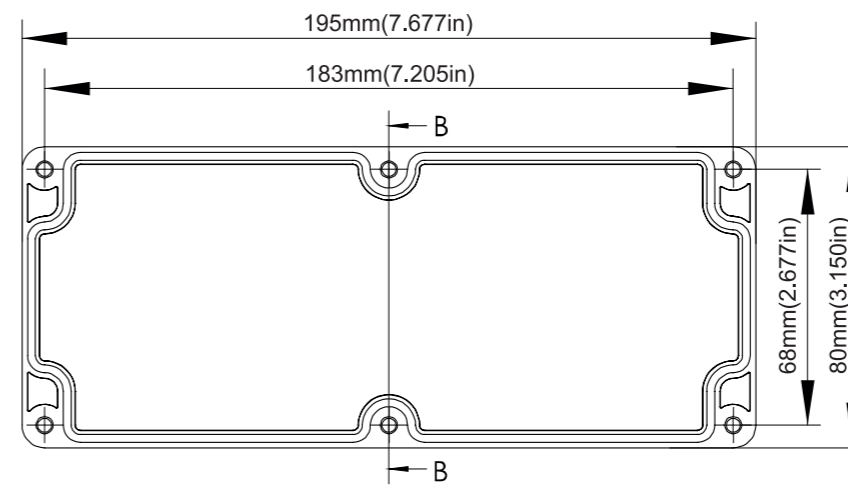
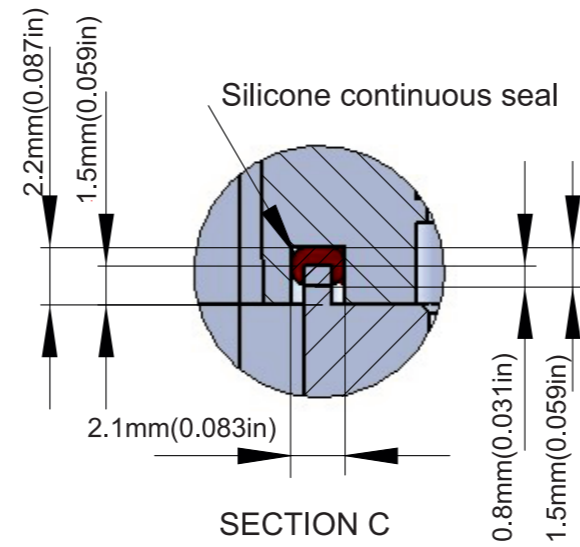
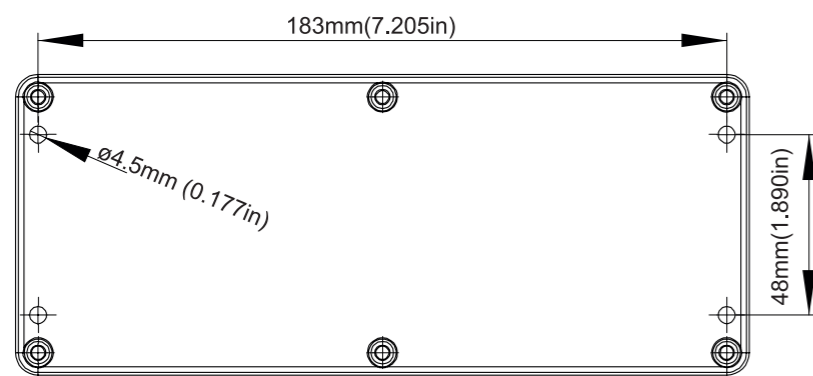


Deckel / cover

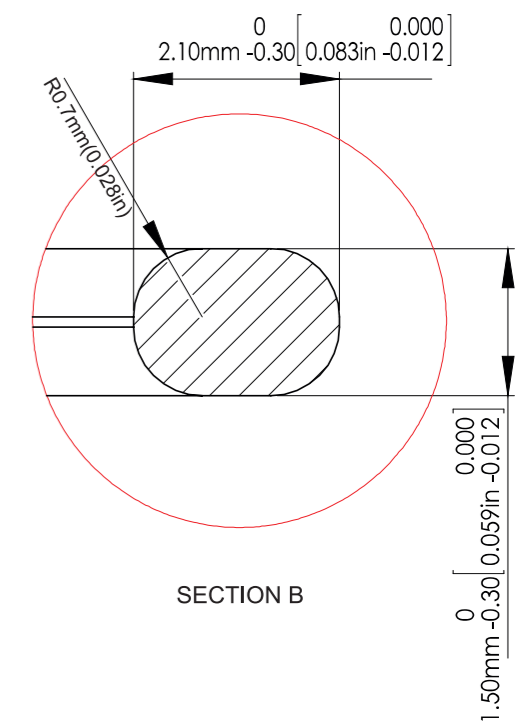
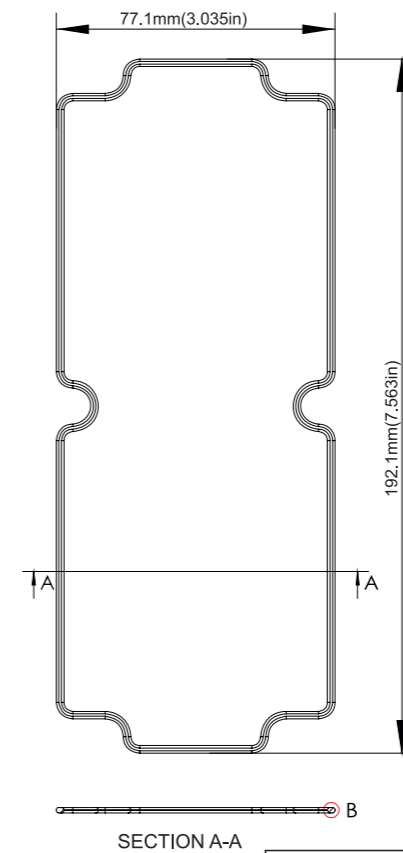


SECTION B-B

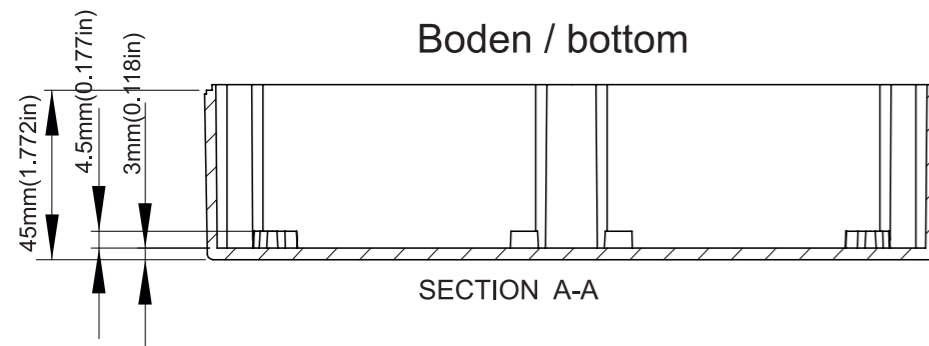


SECTION C

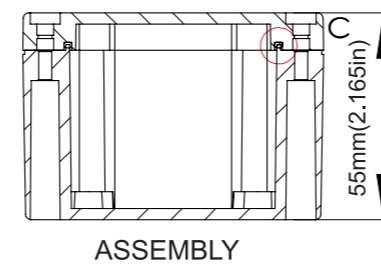
Dichtung/sealing



SECTION B



SECTION A-A



ASSEMBLY

According to ISO 2768-m

Measuring DIM=L	Tolerances
0.5<L≤3.0mm	±0.1mm
3.0<L≤6.0 mm	±0.1mm
6.0<L≤30.0 mm	±0.2mm
30.0<L≤120.0 mm	±0.3mm
120.0<L≤400.0 mm	±0.5mm
400.0<L≤1000.0 mm	±0.8mm

RICHARD WÖHR
GMBH

Gräfenau 58-60
D-75339 Höfen / Enz

Telefon (07081) 9540-0
Telefax (07081) 9540-90
Richard@WoehrGmbh.de
www.WoehrGmbh.de

Bezeichnung: /Expression
Industriegehäuse
industrial enclosure

Artikel-Nummer:

GH02KS002/090IP68
GH02KS002/490IP68

Maße in
mm
dimensions
are in mm

Version:
26.05.2020