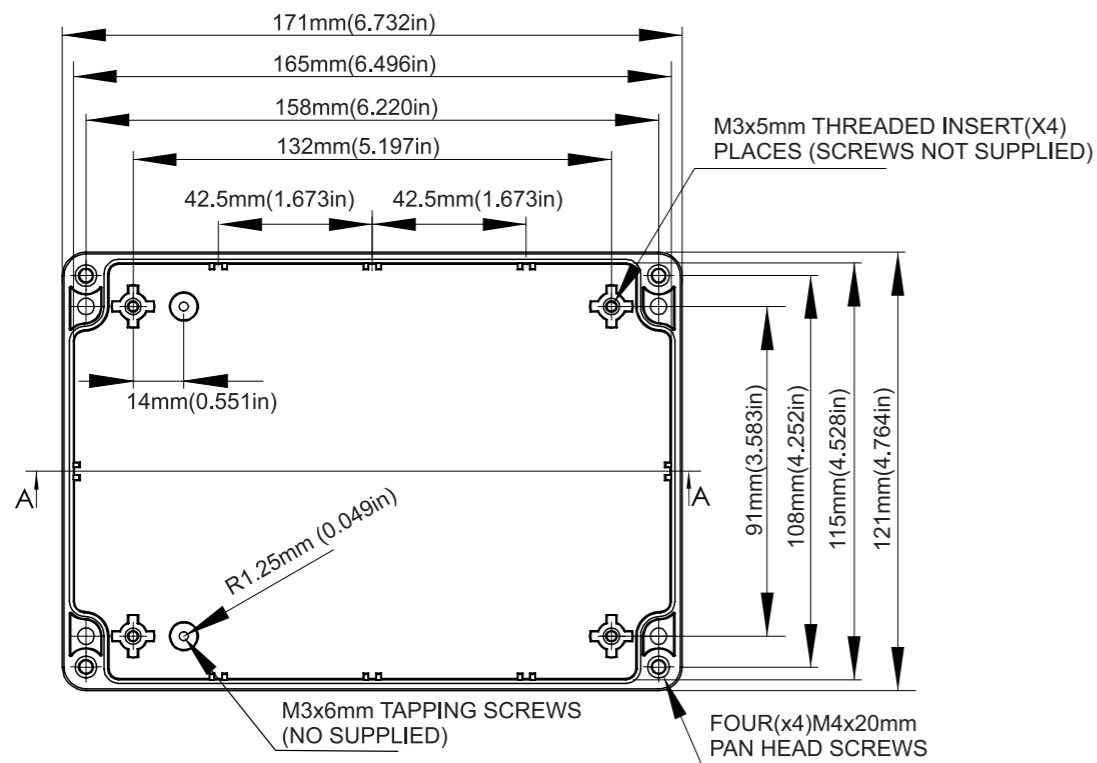
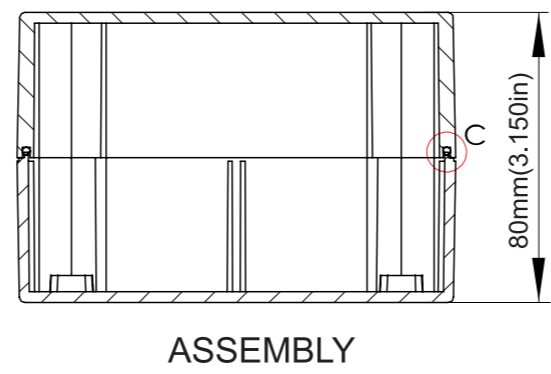
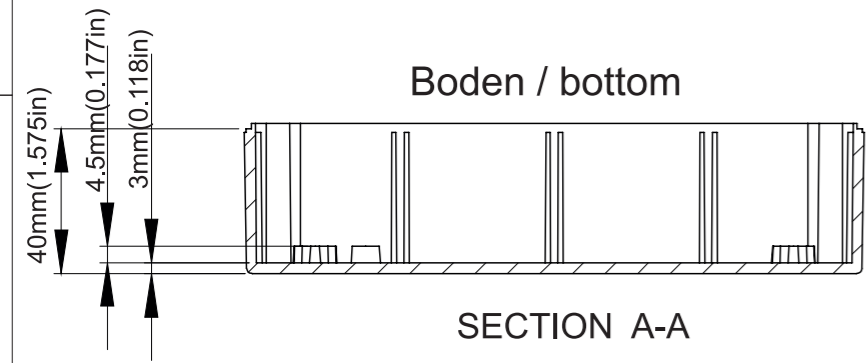
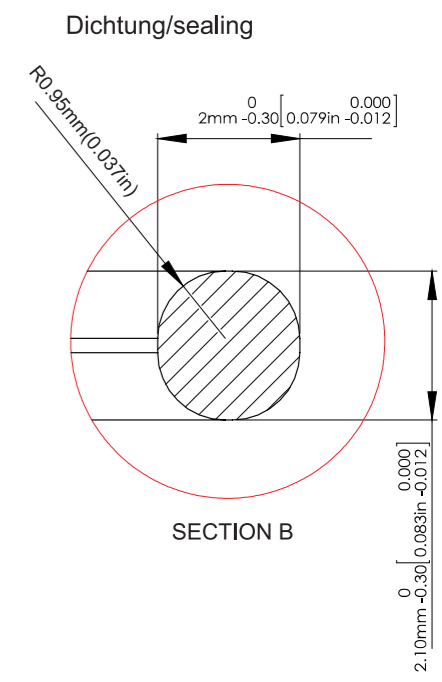
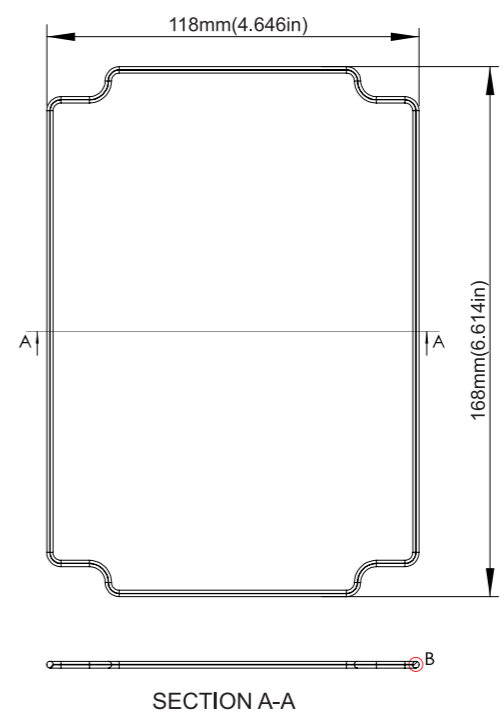
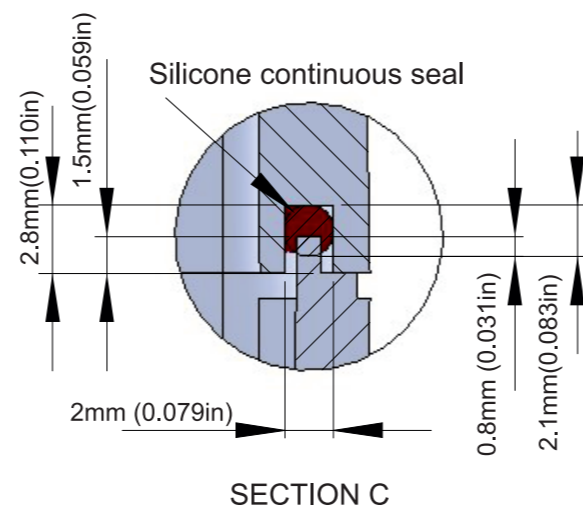
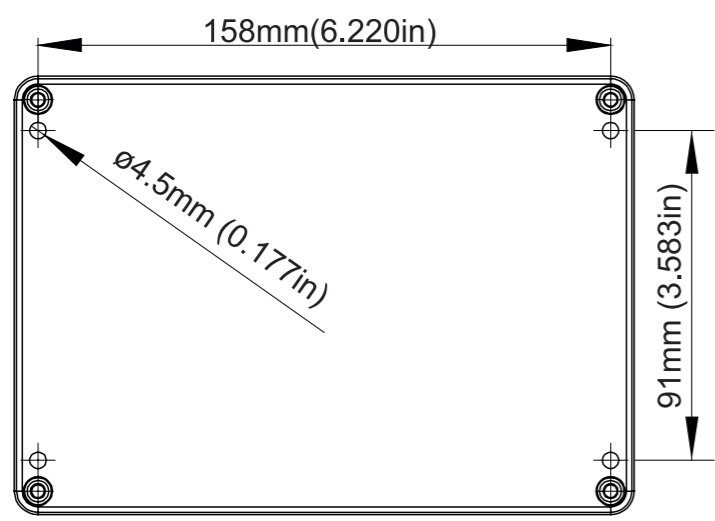
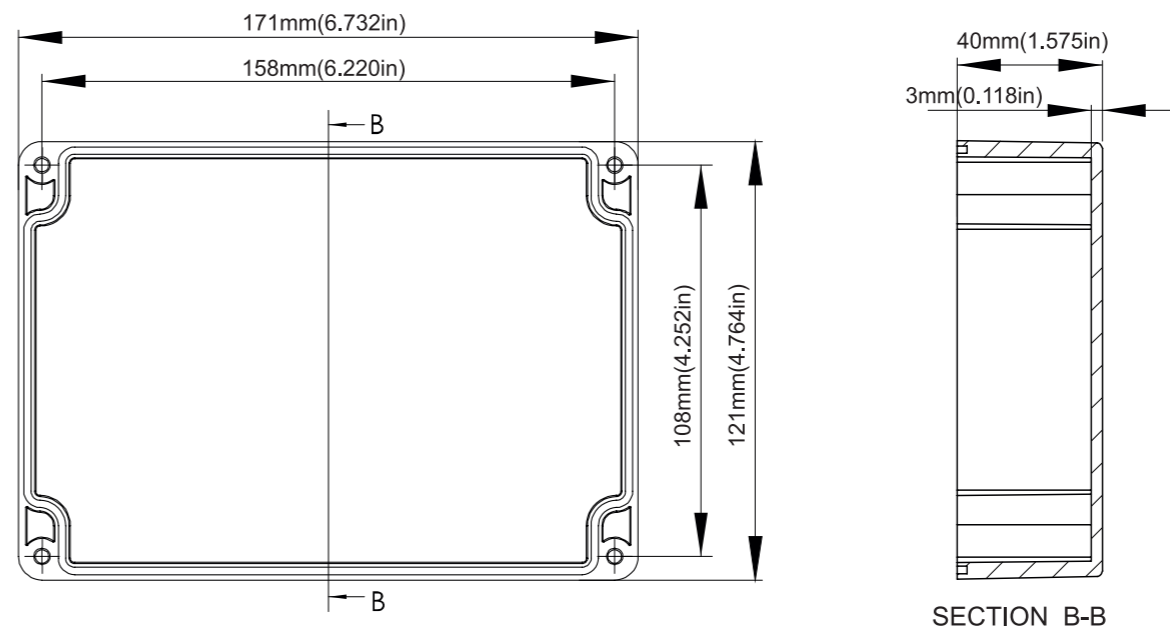


Boden / bottom



Deckel / cover



According to ISO 2768-m

Measuring DIM=L	Tolerances
0.5<L≤3.0mm	±0.1mm
3.0<L≤6.0 mm	±0.1mm
6.0<L≤30.0 mm	±0.2mm
30.0<L≤120.0 mm	±0.3mm
120.0<L≤400.0 mm	±0.5mm
400.0<L≤1000.0 mm	±0.8mm

RICHARD WÖHR
GMBH

Gräfenau 58-60
D-75339 Höfen / Enz
Telefon (07081) 9540-0
Telefax (07081) 9540-90
Richard@WoehrGmbh.de
www.WoehrGmbh.de

Bezeichnung: /Expression
Industriegehäuse
industrial enclosure
Artikel-Nummer:
GH02KS002/080IP68
GH02KS002/480IP68

Maße in mm
dimensions
are in mm
Version:
26.05.2020