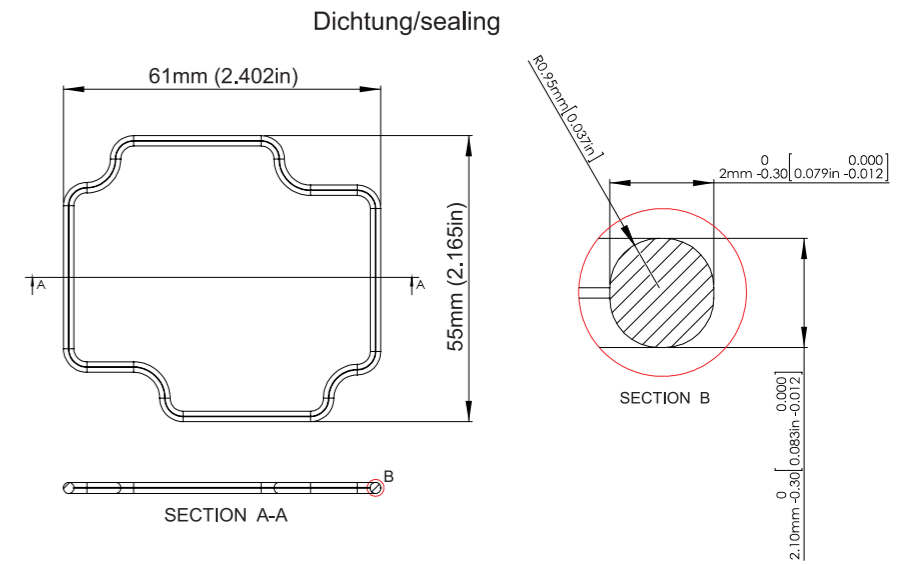
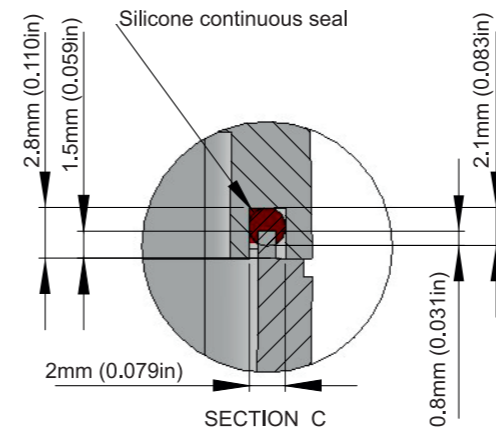
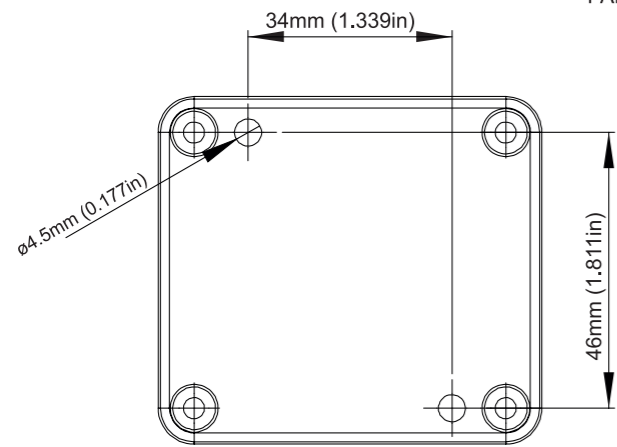
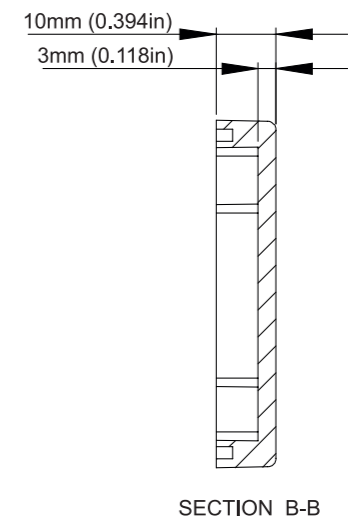
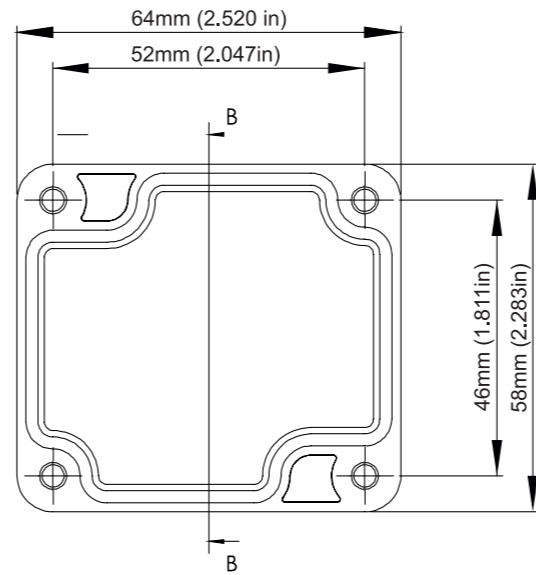
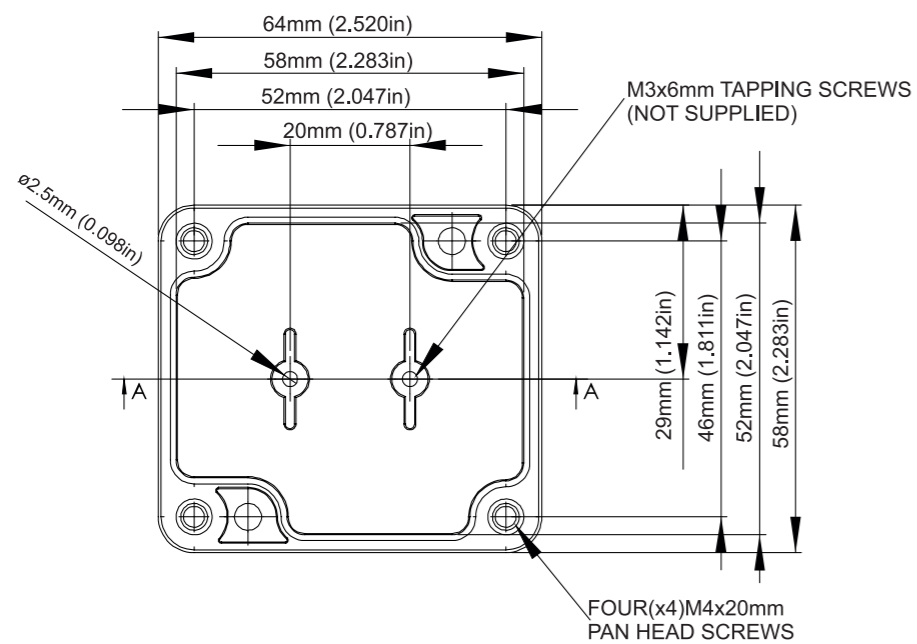
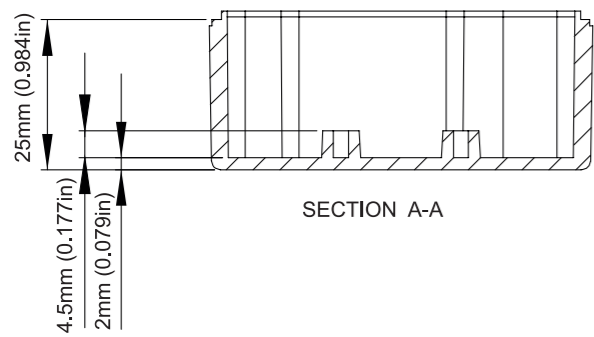
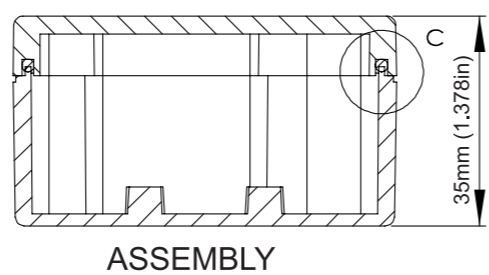


Boden / bottom

Deckel / cover



Boden / bottom



According to ISO 2768-m

Measuring DIM=L	Tolerances
0.5<L<=3.0mm	±0.1mm
3.0<L<=6.0 mm	±0.1mm
6.0<L<=30.0 mm	±0.2mm
30.0<L<=120.0 mm	±0.3mm
120.0<L<=400.0 mm	±0.5mm
400.0<L<=1000.0 mm	±0.8mm

RICHARD WÖHR
GMBH

Gräfenau 58-60
D-75339 Höfen / Enz

Telefon (07081) 9540-0
Telefax (07081) 9540-90
Richard@WoehrGmbh.de
www.WoehrGmbh.de

Bezeichnung: /Expression
Industriegehäuse
industrial enclosure

Artikel-Nummer:
GH02KS002/010IP68
GH02KS002/410IP68

Maße in mm
dimensions are in mm

Version:
26.05.2020